

Vistop™ 63 to 160 A

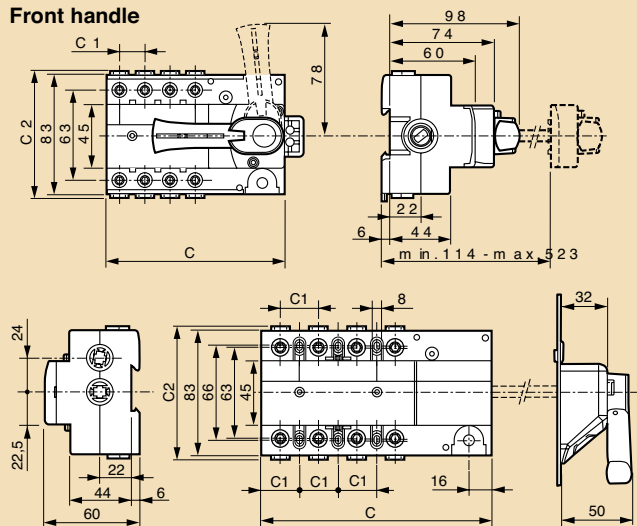
isolating switch rail mounting

Conform to standards NF C 63-130, NF EN 60947-3, IEC 60947-3, BS EN 60947-3, VDE 0660, NBN EN 60947-3, CNOMO E03 - 15-611 R, Veritas approved
 Version with red handle/yellow front plate conforms to standards NF C 79-130, VDE 0113, IEC 60204-1, EN 60204
 Glass fibre reinforced insulating casing, self-extinguishing at 960 °C (IEC NF EN 60695-2-1)
 Handle can be padlocked in open position using 1-3 padlocks Ø 6 mm

Vistop™ 63 to 160 A - visible contact indication

Accept auxiliary contacts N/C + N/O (cat. No 227 04/07) 1 or 2 (side handle)

Front handle



	Front handle			External side handle		
	63 A	100 A, 125 A, 160 A		63 A	100 A, 125 A, 160 A	
	3 and 4-pole	3P	4 P	3 and 4-pole	3 P	4 P
C	125	133	160	125	133	160
C ₁	17.7	26.7		17.7	26.7	
C ₂	90	91		90	91	

Electrical characteristics

Thermal rating (Ith)	63 A	100 A	125 A	160 A	switch 16 A ⁽⁴⁾
Terminals	cage	cage	cage	cage	cage
Conne- tion	Cu (flexible) 4 to 35 ²		4 to 50 mm ²		
	Cu (rigid) 4 to 50 ²		4 to 70 mm ²		6 ²
Insulating voltage (Ui)	690 V~	800 V~	800 V~	800 V~	400 V~
Impulse resistant voltage (U imp)	8 kV	8 kV	8 kV	8 kV	-
AC 22 A	400 V 63 A (35 kW)	100 A (55 kW)	125 A (70 kW)	160 A (88 kW)	16 A
AC 23 A ⁽¹⁾	500 V 63 A (44 kW)	100 A (69 kW)	125 A (87 kW)	160 A (110 kW)	-
	690 V 40 A (38 kW)	100 A (96 kW)	125 A (120 kW)	125 A (120 kW)	
DC 22 A/250 V ^{(1) (2)*}	63	125	125	16 A	
DC 23 A/250 V ^{(1) (2)*}	63	125	125	10 A	
Breaking capacity (Icu) (kA peak)	15	15	15	15	2
1 s resistant current (Icw) (kA rms)	2,5	3,5	3,5	3,5	1
Icc with fuses (kA rms)	100	100	100	80	100
Fuse rupture capacity	63 A	100 A (gG) 63 A (aM) ⁽³⁾	125 A (gG) 125 A (aM) ⁽³⁾	160 A (gG) 125 A (aM)	-
Short circuit capacity (Icm) (kA prospective peak)	7	12	12	12	1
Mechanical endurance (No of operations)	> 30 000	> 30 000	> 30 000	> 30 000	> 30 000
Index of Protection	IP 2x B (IP 3x C under frontplates)		IP 2x B (IP 3x C under frontplate) from 10 mm ²		

(1) Test conditions accordance with IEC 60947-3
 AC = alternating current. DC = direct current. A = for frequent switching
 AC 22 A/DC 22 A : resistive motor breaking
 AC 23 A/DC 23 A : inductive motor breaking
 (2) N° of breaking contacts: 2
 (3) 100 A (aM) with blade type cartridge fuses
 (4) Values correspond to the device mounted on Vistop 100 - 125 - 160 A